



	Fresh Water	Pool Water	Sea Water	220-240 V	400 V	110-120 V	50 Hz	60 Hz	12 V AC	24 V DC	DMX	DMX/RDM	Plug and Spray
ProfiLux LED Flood 2200	✓	✓	✓	✓	✓	✓	✓	✓	✓	✓	✓	✓	✓

PROFILUX LED FLOOD 2200 /01

The ProfiLux LED Flood 2200 /01 is the new most powerful white LED light with 2683 lumen and a wide beam angle of 31° for wide area illumination.

The LED-flood-light has a high quality stainless steel housing and is suitable for fresh water, pool water and sea water application (for defi-

inition see page 232). Equipped with a temperature control and a thermal protection, this neutral white LED light is also suitable for dry installation. The lifetime of these lights is up to 100,000 h.*

This light comes with a watertight 24 V/DC connector.

Product characteristics at a glance

- Energy efficient neutral white LED-light with mounting bracket and fine adjustment.
- 2683 Lumen with a beam angle of 31°, max. 55 Watt
- Colour temperature 4000 K
- 24 V/DC connector without cable
- Watertight in accordance with IP 68, easy to connect
- Reverse polarity protection
- Temperature controlled high quality LED for an extra-long life of up to 100,000 h.*
- Wet and dry installation
- For fresh water, pool water and sea water
- Compact design (Ø x h) 188 x 36 [mm]
- DMX/RDM-controllable with Underwater Switch 24 V DC (on/off)

*In case of underwater application, an intelligent heat management and quality LED enables a lifetime of up to 100.000 hrs. This claim does not entitle to a guarantee.

INNOVATION – MADE BY OASE

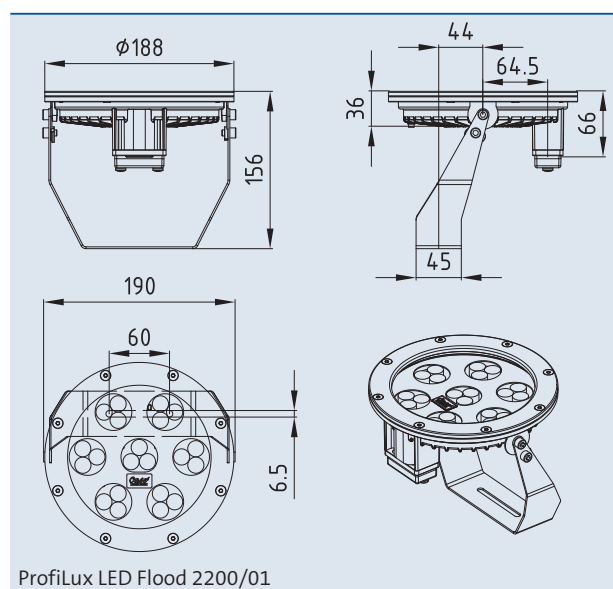
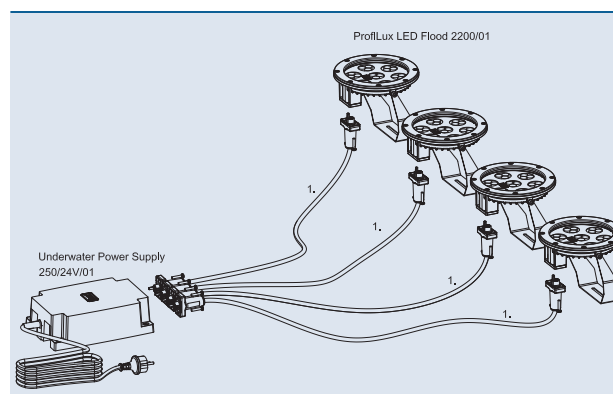
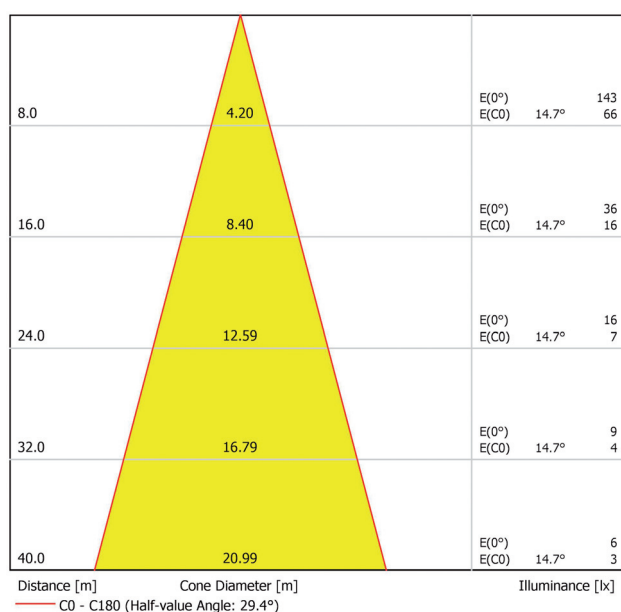


ProfiLux LED Flood 2200/01

The ProfiLux-LED-Flood light has a watertight 24 V/DC socket connector for connecting it to the Underwater Power supply 250 24V/01 (50733, see page 152) with a 1.0 mtr.; 3.0 mtr.; 7.5 mtr. or 15 mtr. connecting cable (see page 146; see also system diagram 1).

The white LED can also be individually controlled via DMX. In that case the light should be connected to the Underwater Switch 24 V DC/DMX/02 (56411, see page 148). Up to 4 LED's can be controlled indi-

vidually with this Underwater Switch (see system diagram 2). In addition a RDM-capable controller, for eg. WECS II (WECS II 512, WECS II 1024 or WECS II 2048, see page 156-165), is also required.



No.	Cable	Possible length
1	Power cable	1 m / 3 m / 7.5 m / 15 m

Accessories (must be ordered separately)

Freestand Light (see page 132)	50978
Underwater Switch 24 V DC/DMX/02 (see page 148)	56411
Connecting cable DMX/01 (see page 144)	Order no.
Connecting cable DMX/1.0 m/01	12368
Connecting cable DMX/3.0 m/01	12369
Connecting cable DMX/5.0 m/01	12371
Connecting cable DMX/10.0 m/01	12372
Connecting cable DMX/20.0 m/01	12373
End Resistant for Bus-System DMX/01	12007
Connecting cable 24V DC/01 (see page 142)	Order no.
Connecting cable 24V DC /1.0 m/01	12762
Connecting cable 24V DC /3.0 m/01	12552
Connecting cable 24V DC /7.5 m/01	12553
Connecting cable 24V DC /15.0 m/01	11720
PowerBox 24 V DC / 01 (see page 143)	50493
Underwater power supply 250 / 24 V / 01 (see page 152)	50733
WECS II 512 (see page 156)	56491
WECS II 1024 (see page 156)	56492
WECS II 2048 (see page 162)	56507

ProfiLux LED Flood 2200/01		
Luminous flux white	[lm]	2683
Colour temperature LED white	[K]	4000 (± 200)
Colour Rendering Index (CRI)	[%]	80
Beam angle	[°]	31 (± 2)
Energy efficiency category		A
Weighted energy consumption [kWh/1000h]		60,3
Rated voltage	[V/DC]	24
Power consumption	[W]	55
Rated current	[A]	2.3
Dim frequency	[Hz]	2800
Power connection type		24V DC Socket
Protection class		IP 68
Dimensions (∅ x h)	[mm]	188 x 156
Material		Stainless steel 1.4404 (AISI 316 L)
Weight	[kg]	2.75
Order no.		56402