



	Fresh Water	Pool Water	Sea Water	220-240 V	400 V	110-120 V	50 Hz	60 Hz	12 V AC	24 V DC	DMX	DMX/RDM	Plug and Spray
ProfiLux LED 350	✓	✓	✓	✓	✓	✓	✓	✓	✓	✓	✓	✓	✓

## PROFILUX LED 350/01

The ProfiLux LED 350/01 is the new, tiny, compact and powerful white LED light with 340 Lumen and a beam angle of 25°.

This compact neutral white LED-light (Ø = 75.2 mm) has a high quality stainless steel housing and is suitable for fresh water, pool water and sea water application (for definition see page 232). Equipped with a temperature control and a thermal protection, the LED light can also be installed dry. The lifetime of these lights is up to 100,000 h.\* The light is supplied with a moun-

ting bracket for ground installation as well as for nozzle tube mounting (designed for socket 10 (51018)). The LED light has a 4 mtr. long connecting cable with a waterproof 24V/DC connector.

### Product characteristics at a glance

- Energy efficient neutral white LED- light with mounting bracket for ground installation and nozzle tube mounting ( designed for socket 10 (51018)).
- 340 Lumen with a beam angle of 25°, max. 7.5 Watt
- Colour temperature 4000 K
- 24 V/DC connector with 4mtr. cable
- Watertight in accordance with IP 68, easy to connect
- Reverse polarity protection
- Temperature controlled high quality LED for an extra-long life of up to 100,000 h.\*
- Wet and dry installation
- For fresh water, pool water and sea water
- Compact design (Ø x h) 75 x 27 [mm]
- DMX/RDM-controllable with Underwater Switch 24 V DC (on/off)

\*In case of underwater application, an intelligent heat management and quality LED enables a lifetime of up to 100.000 hrs. This claim does not entitle to a guarantee.

### INNOVATION – MADE BY OASE

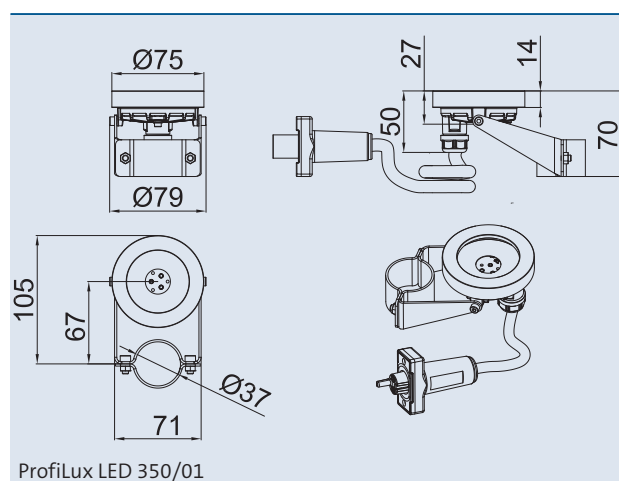
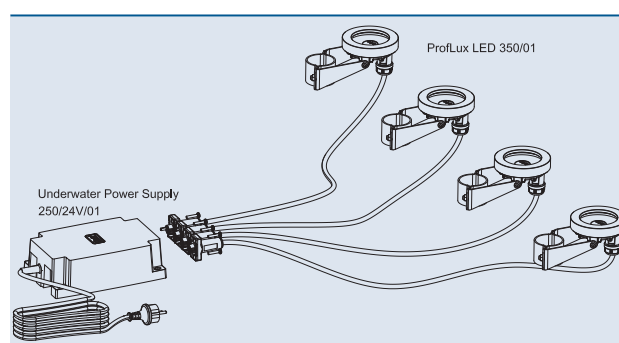
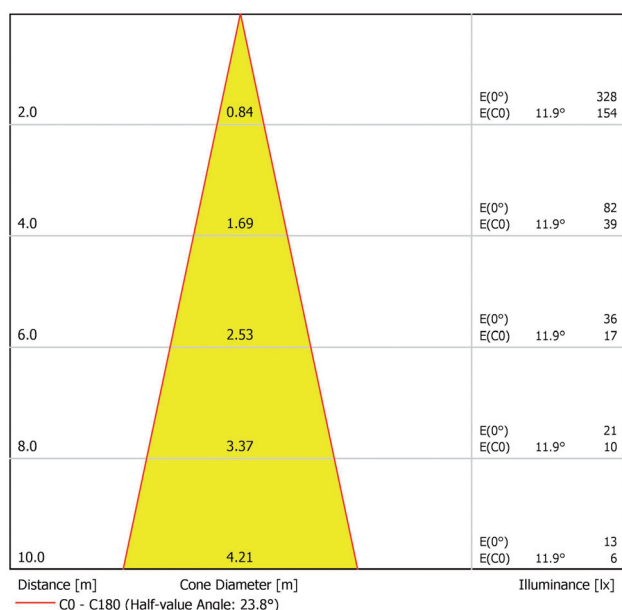


ProfiLux LED 350/01

The white 24 V/DC LED-light has a 4 mtr. long connecting cable with a 24 V/DC connector for connecting it directly to the Underwater power supply 250 24V/01 (50733, see page 152; see also system diagram 1).

The white LED can also be individually controlled via DMX. In that case the light should be connected directly to the Underwater Switch 24 V DC/DMX/02

(56411, see page 148). Up to 4 LED's can be controlled individually with this Underwater Switch (see system diagram 2). In addition a RDM-capable controller, for eg. WECS II (WECS II 512, WECS II 1024 or WECS II 2048, see page 156-165), is also required.



**Accessories** (must be ordered separately)

<b>Freestand Light</b> (see page 132)	<b>50978</b>
<b>Underwater Switch 24 V DC/DMX/02</b> (see page 148)	<b>56411</b>
<b>Connecting cable DMX/01</b> (see page 144)	<b>Order no.</b>
Connecting cable DMX/1.0 m/01	<b>12368</b>
Connecting cable DMX/3.0 m/01	<b>12369</b>
Connecting cable DMX/5.0 m/01	<b>12371</b>
Connecting cable DMX/10.0 m/01	<b>12372</b>
Connecting cable DMX/20.0 m/01	<b>12373</b>
End Resistant for Bus-System DMX/01	<b>12007</b>
<b>Connecting cable 24V DC/01</b> (see page 142)	<b>Order no.</b>
Connecting cable 24V DC /1.0 m/01	<b>12762</b>
Connecting cable 24V DC /3.0 m/01	<b>12552</b>
Connecting cable 24V DC /7.5 m/01	<b>12553</b>
Connecting cable 24V DC /15.0 m/01	<b>11720</b>
<b>PowerBox 24 V DC / 01</b> (see page 143)	<b>50493</b>
<b>Underwater power supply 250 / 24 V / 01</b> (see page 152)	<b>50733</b>
<b>WECS II 512</b> (see page 156)	<b>56491</b>
<b>WECS II 1024</b> (see page 156)	<b>56492</b>
<b>WECS II 2048</b> (see page 162)	<b>56507</b>

ProfiLux LED 350 / 01		
Luminous flux white	[lm]	340
Colour temperature LED white	[K]	4000 (± 200)
Colour Rendering Index (CRI)	[%]	80
Beam angle	[°]	25 (± 2)
Energy efficiency category		A
Weighted energy consumption [kWh/1000h]		8.25
Rated voltage	[V/DC]	24
Power consumption	[W]	7.5
Rated current	[A]	0.31
Dim frequency	[Hz]	2800
Power connection type		24V DC plug
Cable length	[m]	4
Protection class		IP 68
Dimensions (Ø x h)	[mm]	75 x 70
Material		Stainless steel 1.4404 (AISI 316L)
Weight	[kg]	0.61
<b>Order no.</b>		<b>56331</b>